

Use our Sovac Unit that does not require a die for multi-type small quantity molding!

Made-to-order vacuum casting system

SOVAC UNIT

Vacuum casting machine

This is a manual type industrial model molding machine, with which automatic defoaming, mixing and molding work are possible.

We accept customized orders.



⊕ Use

Trial and bulk production of industrial models

Automatic liquid control pioneer

SOSEY

Domestic base

■ Head office/factory | Sales Department ■ Sales Headquarters (East Japan Area) ■ Central Japan Area ■ West Japan Area
Overseas base

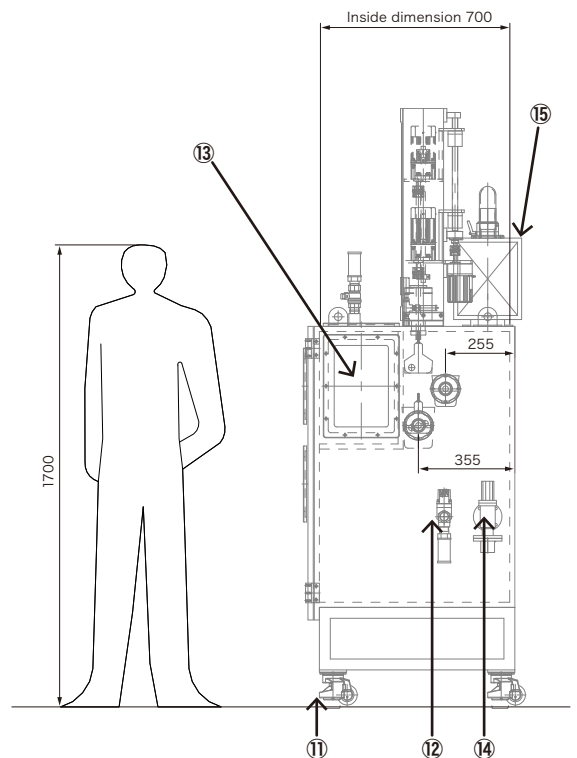
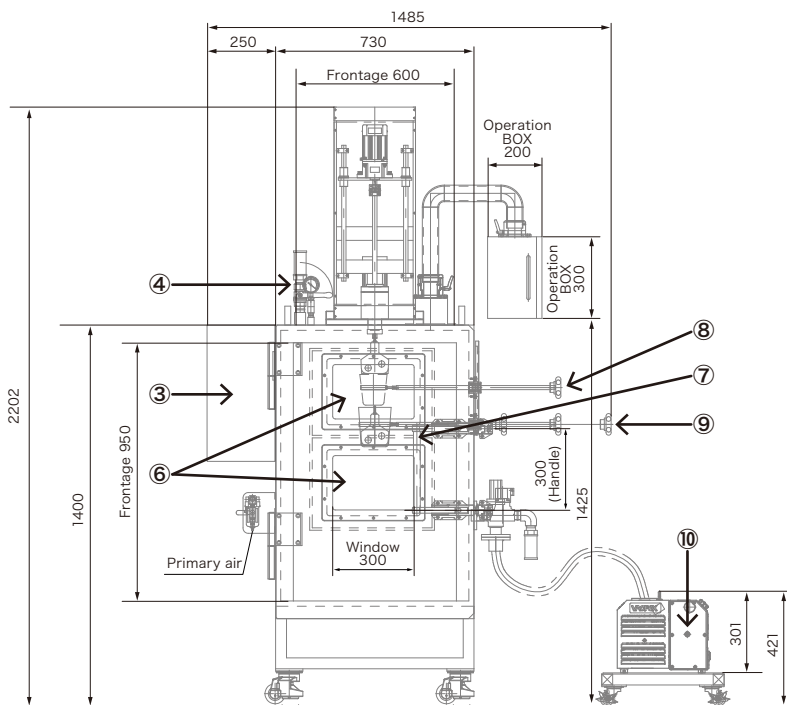
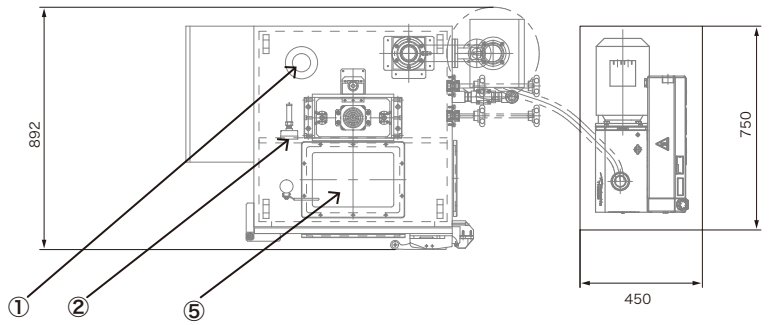
■ SOSEY TAIWAN ■ SOSEY CHINA ■ SOSEY KOREA



■ Dimensions/

Part Names(Unit:mm)

- ① Sight glass (for lighting)
- ② Bourdon tube vacuum gauge
- ③ Control BOX
- ④ Exhaust valve
- ⑤⑬ Sight glass
- ⑦ Handle for opening/closing
- ⑧ Upper cup handle
- ⑨ Lower cup handle
- ⑩ Vacuum pump
- ⑪ Casters with adjustment
- ⑫ Exhaust valve
- ⑭ Vacuum valve
- ⑮ Operation BOX



■ Standard Specifications Example

Applicable material	Urethane, epoxy, silicone
Usable time	1 minute or more
Casting method	Manual casting
Material viscosity	~10,000mPa·s
Ultimate vacuum	133Pa or more
Power supply	200 VAC

※pecification is an example
 ※The device is not explosion- or water-proof.
 ※We offer customized manufacturing.
 Please contact our sales representative to order.

Click here for estimates
 Estimate format for easy inquiries is posted

Automatic liquid control pioneer

SOSEY

<http://www.sosey.co.jp/>

■ Head office/factory TEL(052)612-7321(代)

Sales Department

■ Sales Headquarters (East Japan Area)

TEL(03)3455-7141(代)

■ Central Japan Area TEL(052)613-2511(代)

■ West Japan Area TEL(06)6303-7141(代)



●Contact below to order