

Non-wash Disposable Dynamic Mixer

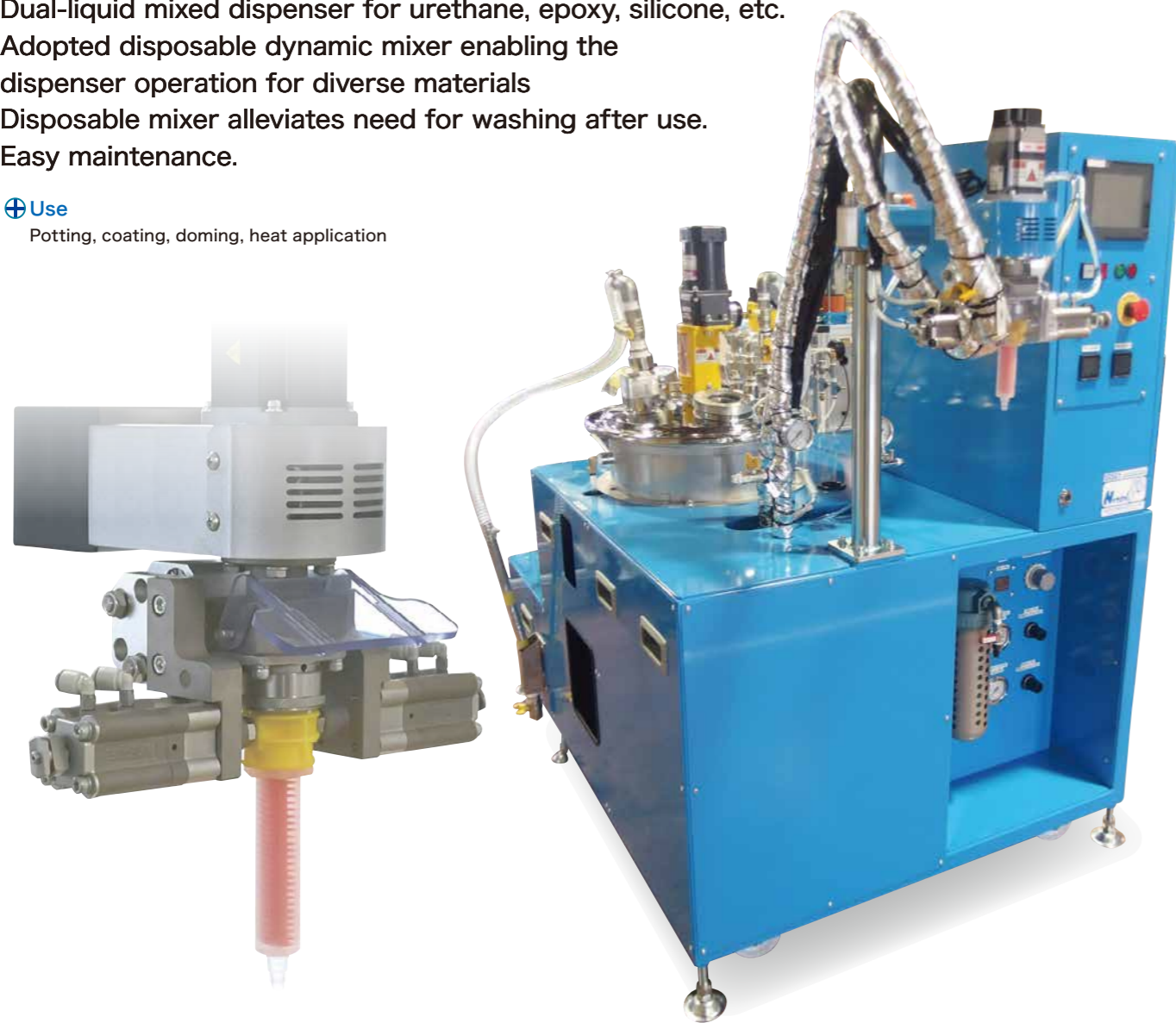
# Automatic Dual-liquid Measuring Mixed Dispenser

# SNP Series

## Non-wash High-precision

Dual-liquid mixed dispenser for urethane, epoxy, silicone, etc.  
 Adopted disposable dynamic mixer enabling the dispenser operation for diverse materials  
 Disposable mixer alleviates need for washing after use.  
 Easy maintenance.

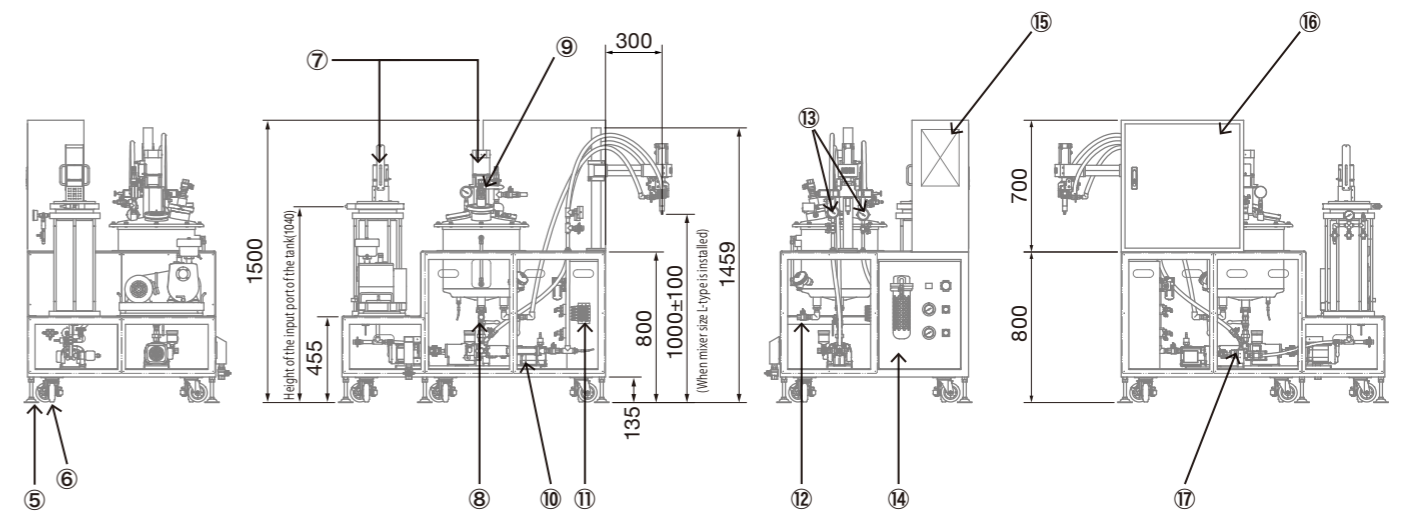
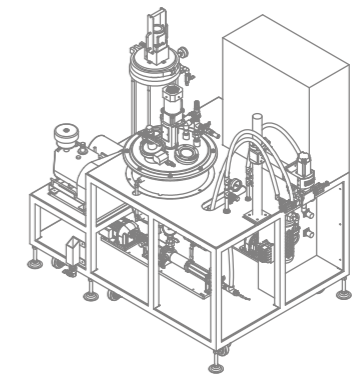
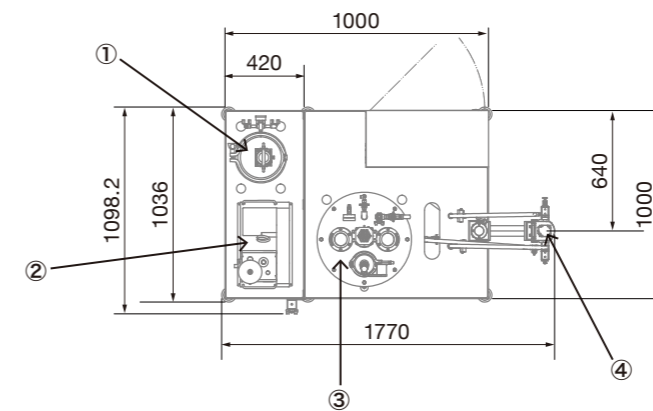
**Use**  
 Potting, coating, doming, heat application



**SUPER SHOT SERIES [SNP Series]**

### Dimensions / Part Names (Unit: mm)

- ① B-agent tank
- ② Vacuum pump
- ③ A-agent tank ※30L SUS
- ④ Mixer
- ⑤ Level bolt
- ⑥ Caster
- ⑦ Tank mixing motor
- ⑧ Pumping valve
- ⑨ Material suction valve
- ⑩ A-agent measuring section
- ⑪ Solenoid valve
- ⑫ Drain valve
- ⑬ Pressure gauge
- ⑭ Air panel
- ⑮ Operation panel
- ⑯ Control panel
- ⑰ B-agent measuring section



### Standard Specifications

Amount dispensed	0.1~40ml/sec
Mixing ratio	100:3~100:100
Metering pump	Select from gear pump, snake pump, and plunger pump
Metering pump drive motor	Gear motor
Mixer	Wonder Mix
Mixer drive motor	Servo motor
Material viscosity	~200,000mPa.s
Power supply	Three-phase 200V
Air source	0.5MP~
Unit weight	Approx. 300 kg ※Differs according to specification

※Specifications and outside appearance may change without advanced notice. ※The device is not explosion- or water-proof.  
 ※Special specifications other than those noted above are available (optional). Please inquire with our sales representative if you wish to add optional specifications.