

For large volume dispensing of low-viscosity urethane, epoxy and silicone

Dual-liquid low-pressure injection machine

LM Series

Low-Pressure Injection Machine

Large-volume dispenser enabling maximum dispensing of 133.3ml/sec.

Use of gear pump method for measuring enables simple change in dispensing amount by changing timer.

The device can be used for diverse purposes, including prototype casting, potting, and supplying liquid to roll coaters.

Use

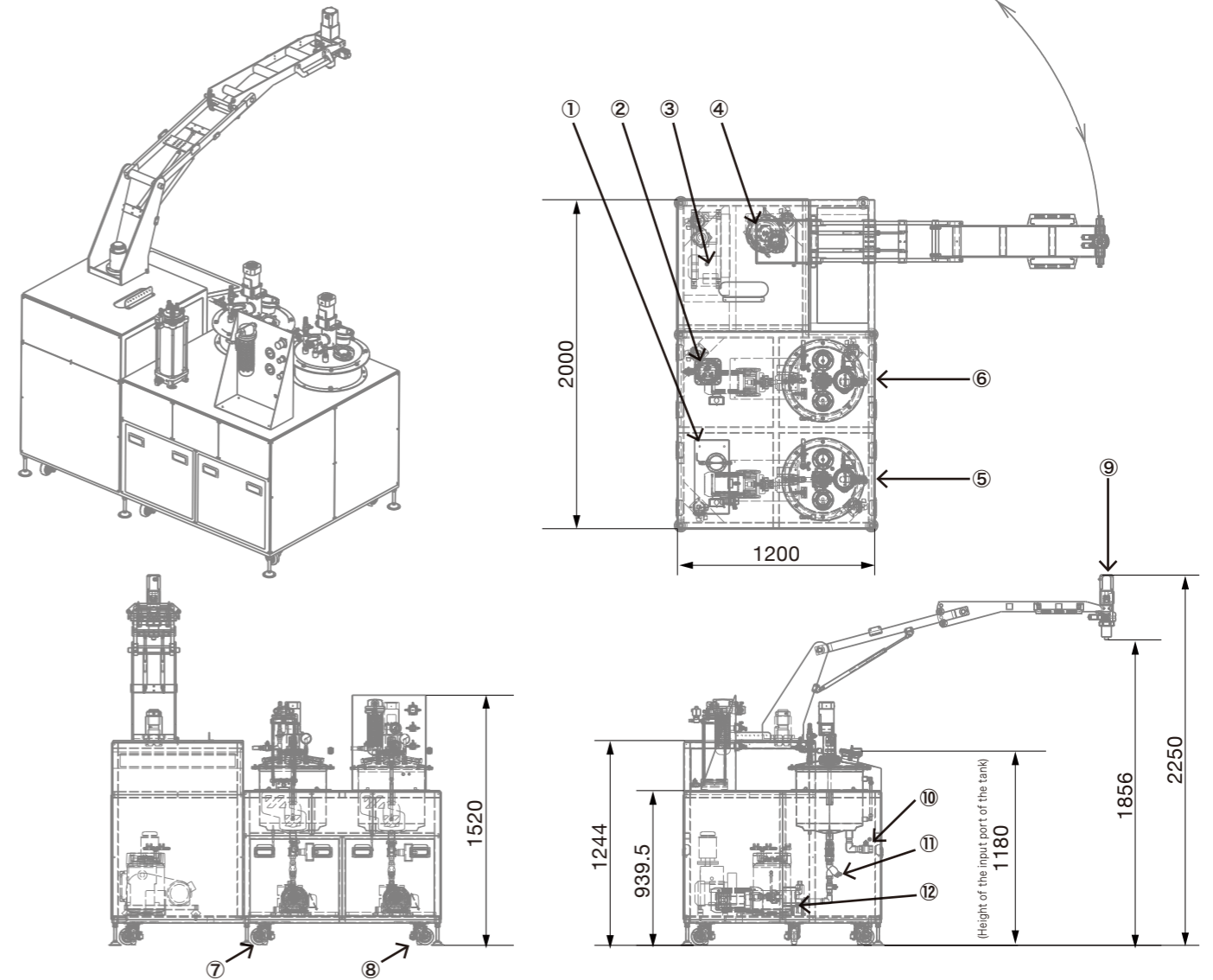
Prototype casting, potting on large parts, and supplying liquid to large roll coaters.



SUPER SHOT SERIES [LM-800]

Dimensions / Part Names (Unit: mm)

- | | | |
|----------------|-----------------------|--------------------|
| ① Air panel | ⑤ A-agent tank | ⑨ Mixer |
| ② Vacuum panel | ⑥ B-agent tank | ⑩ Drain valve |
| ③ Vacuum pump | ⑦ Level bolt | ⑪ Y- strainer |
| ④ Washing tank | ⑧ Caster with stopper | ⑫ Metering section |



Standard Specifications

Amount dispensed	33.3~133.3ml/sec	※For a mixing ratio of 100:100
Mixing ratio	100:20~100:100	
Metering pump	Gear pump	
Mixer	Power Mixer	
Material viscosity	~10,000mPa·s	
Usable time	20 seconds or more	
Power supply	Three-phase 200V	
Air source	0.5Mpa~	
Unit weight	Approx. 750 kg	※Differs according to specification

※Specifications and outside appearance may change without advanced notice. ※The device is not explosion- or water-proof.
 ※Special specifications other than those noted above are available (optional). Please inquire with our sales representative if you wish to add optional specifications.